

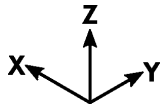


XXX

X: 0mm

Y: 0mm

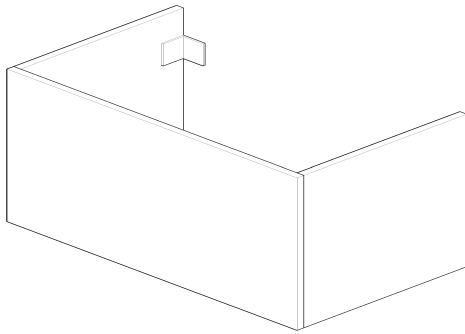
Z: 0mm



X: 700 mm

Y: 495 mm

Z: 400 mm



A



A mm

B mm

C 80-120 mm

D mm

E mm

F mm

G mm

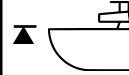
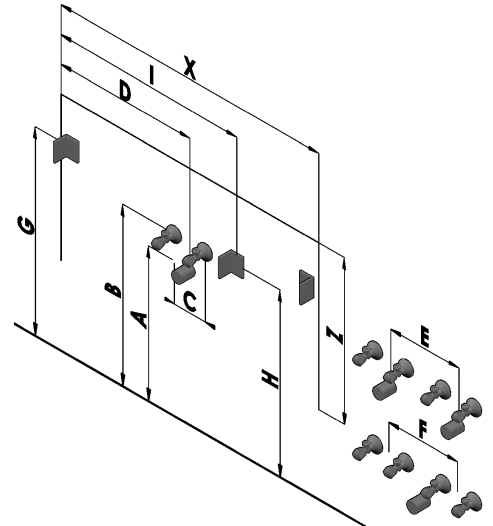
H mm

I mm

J 860 mm

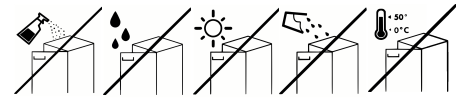
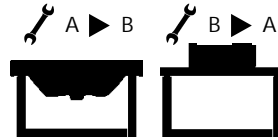
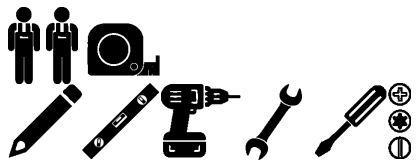
M mm

N 31 mm

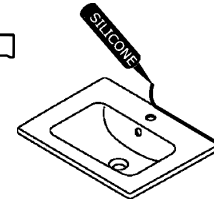
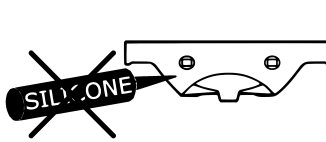


J

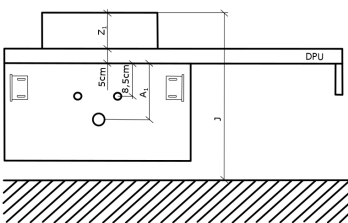
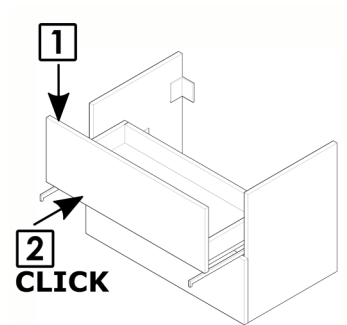
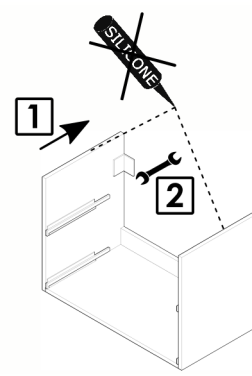
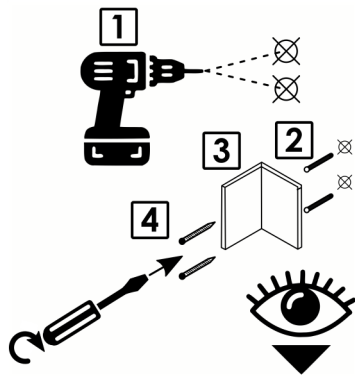
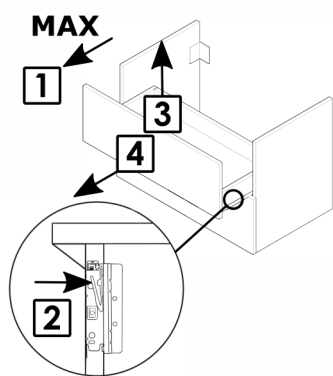
Art.No



A



B



Z<sub>1</sub> = Triumph:

SZZ A<sub>1</sub> = 80 mm  
SZZ1 A<sub>1</sub> = 80 mm  
SZZ2 A<sub>1</sub> = 80 mm

Z<sub>1</sub> = Kube, Joy, Joy 3:

SZZ A<sub>1</sub> = 230 mm  
SZZ1 A<sub>1</sub> = 120 mm  
SZZ2 A<sub>1</sub> = 120 mm

