

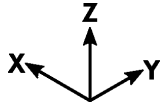


U115

X: 600mm

Y: 455mm

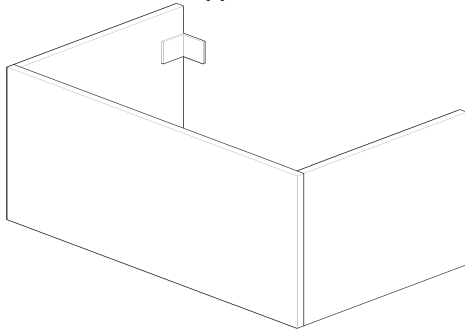
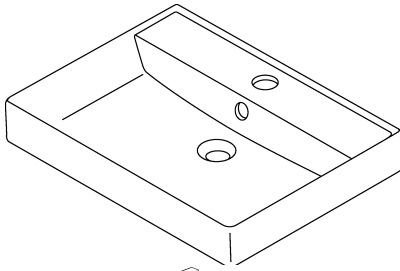
Z: 100mm



X: 800 mm

Y: 500 mm

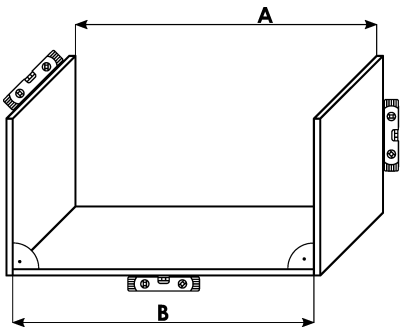
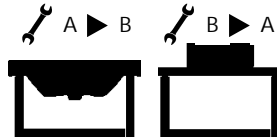
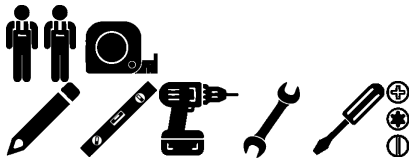
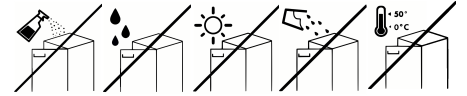
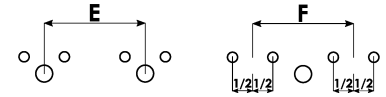
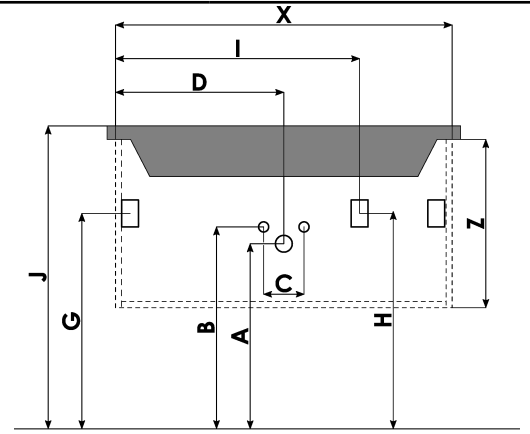
Z: 318 mm



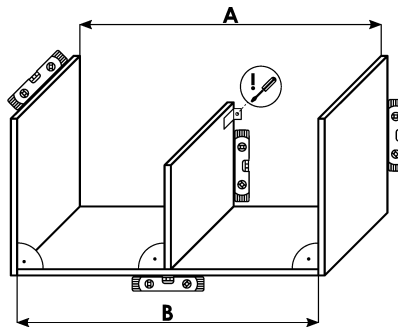
A



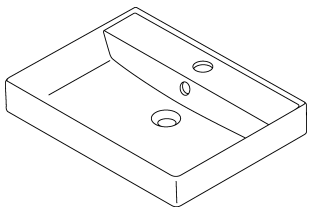
- A 560 mm
- B 600 mm
- C 80-100 mm
- D 400 mm
- E --- mm
- F --- mm
- G 691 mm
- H --- mm
- I --- mm
- J 860 mm
- M mm
- N mm



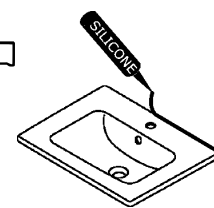
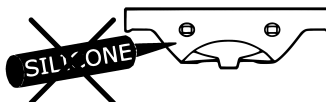
! A=B



A



!



B

