

MODULE SZZ1 100 U023



U023

X: 600mm

Y: 470mm

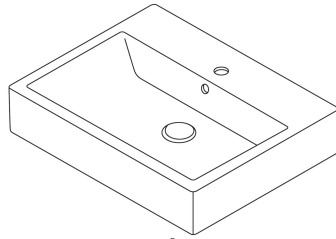
Z: 130mm



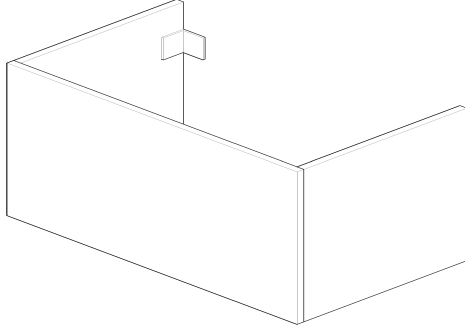
X: 1000 mm

Y: 500 mm

Z: 318 mm



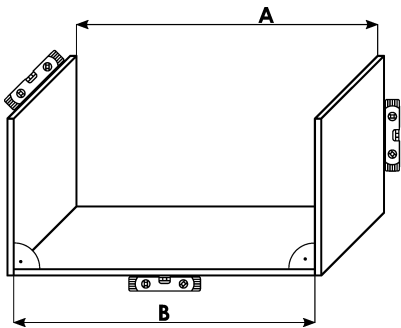
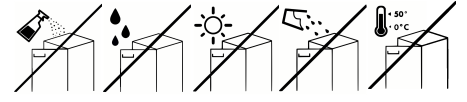
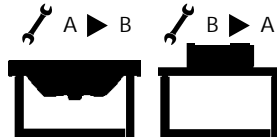
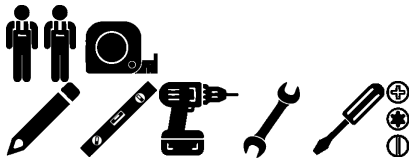
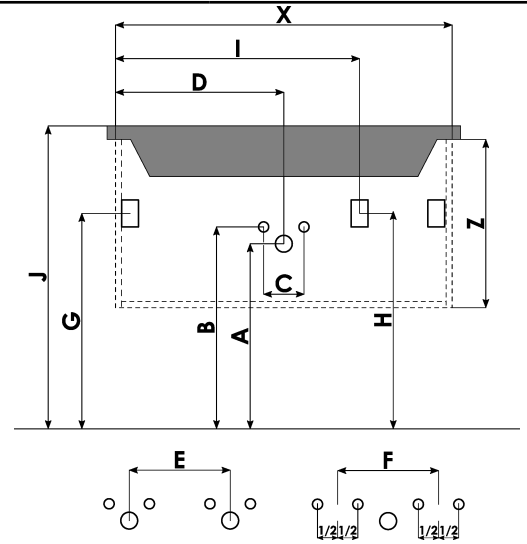
A



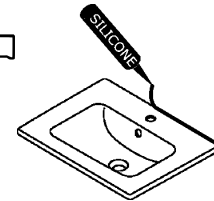
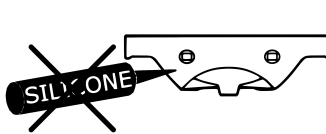
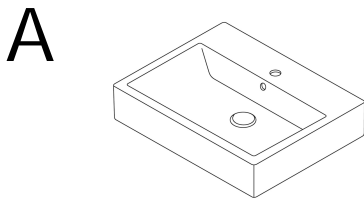
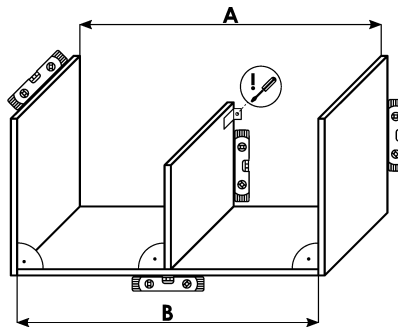
B



- A 560 mm
- B 600 mm
- C 80-120 mm
- D 500 mm
- E --- mm
- F --- mm
- G 656 mm
- H --- mm
- I --- mm
- J 860 mm
- M mm
- N mm



! A=B



B

