



U023

X: 600mm

Y: 470mm

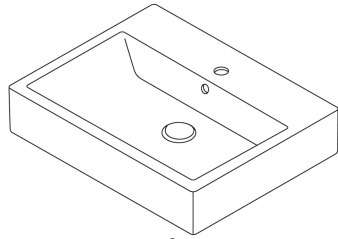
Z: 130mm



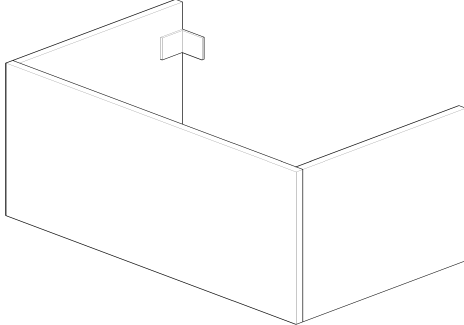
X: 1200 mm

Y: 500 mm

Z: 318 mm

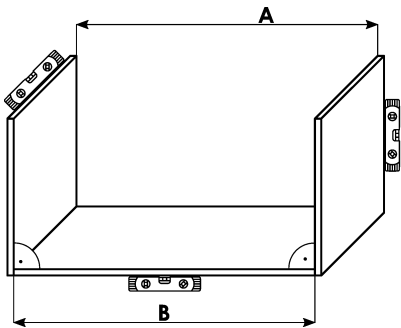
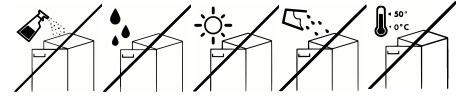
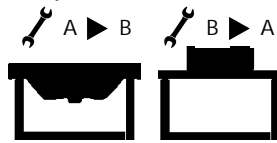
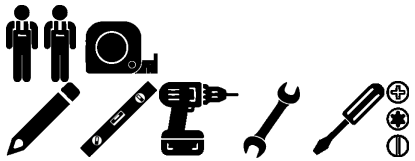
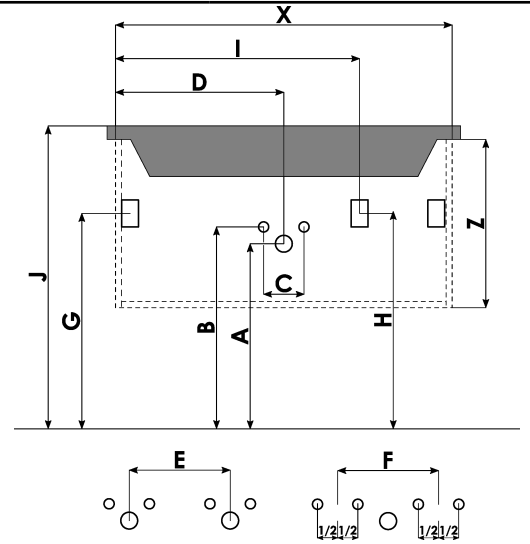


A 

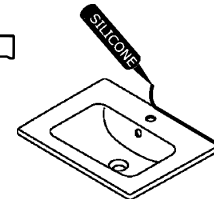
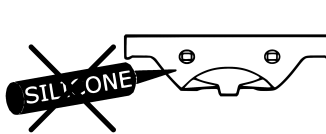
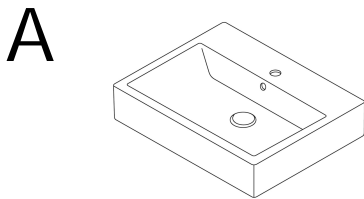
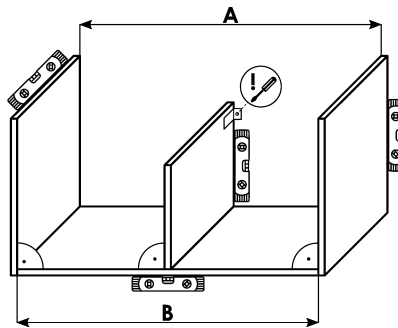


B 

- A 560 mm
- B 600 mm
- C 80-120 mm
- D 300 mm
- E ... mm
- F ... mm
- G 656 mm
- H 656 mm
- I 640 mm
- J 860 mm
- M mm
- N mm



! A=B



**B**

