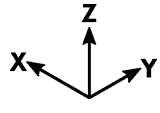
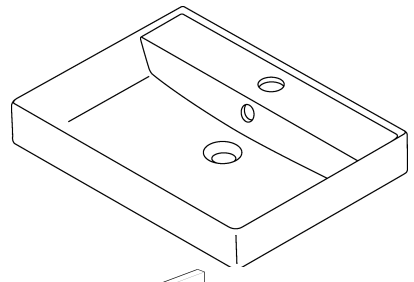


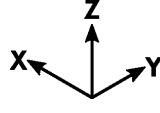
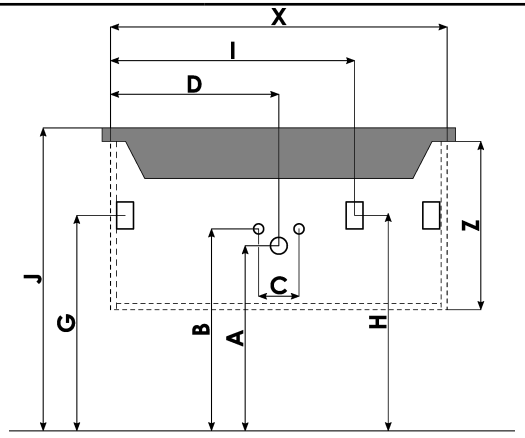
# MODULE SZZ12 120 U117



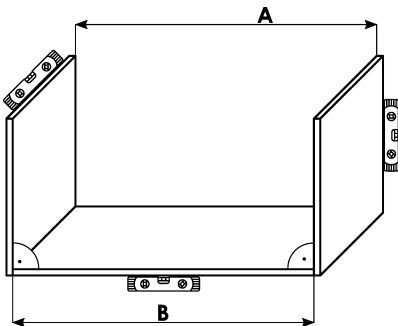
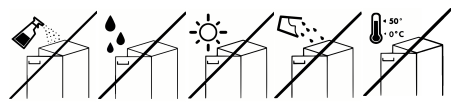
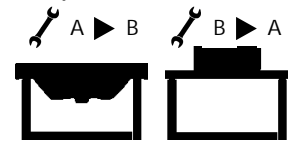
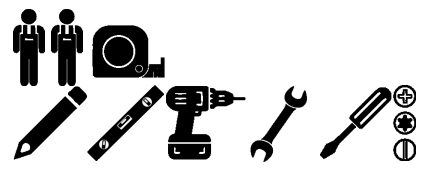
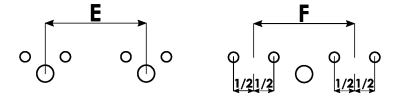
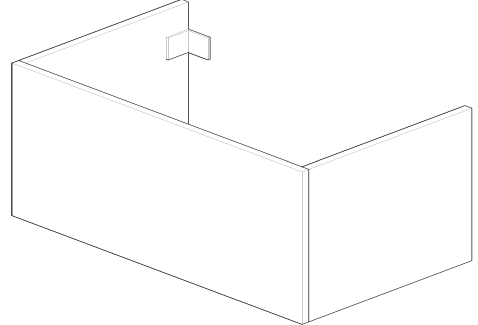
**U117**  
 X: 850mm  
 Y: 455mm  
 Z: 100mm



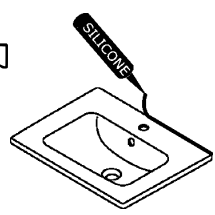
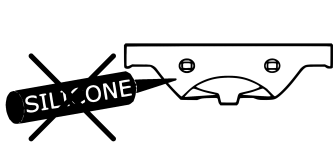
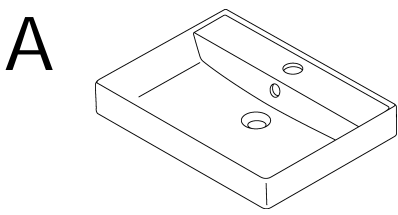
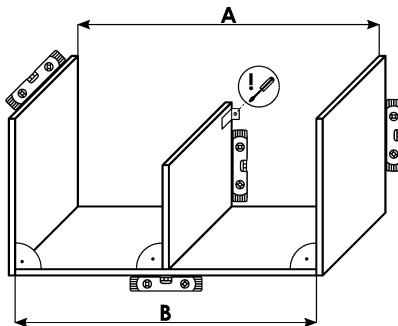
A 560 mm  
 B 600 mm  
 C 80-100 mm  
 D 600 mm  
 E ... mm  
 F ... mm  
 G 691 mm  
 H 671 mm  
 I 478/722 mm  
 J 860 mm  
 M mm  
 N mm



X 1200 mm  
 Y 500 mm  
 Z 318 mm



! A=B



## B

