

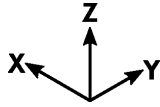
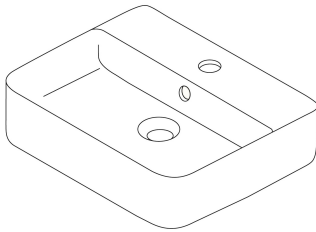


U103

X<sub>1</sub> 460mm

Y<sub>1</sub> 390mm

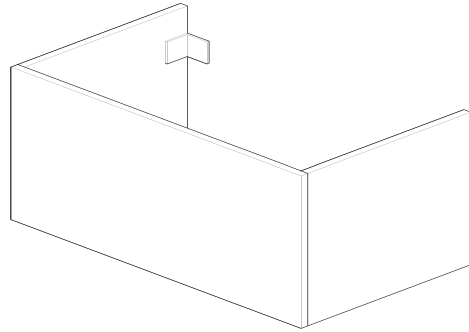
Z<sub>1</sub> 125mm



X 1400 mm

Y 500 mm

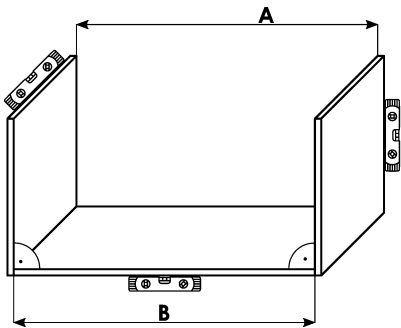
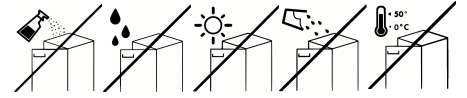
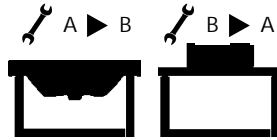
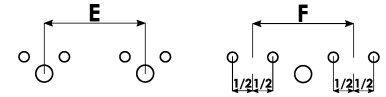
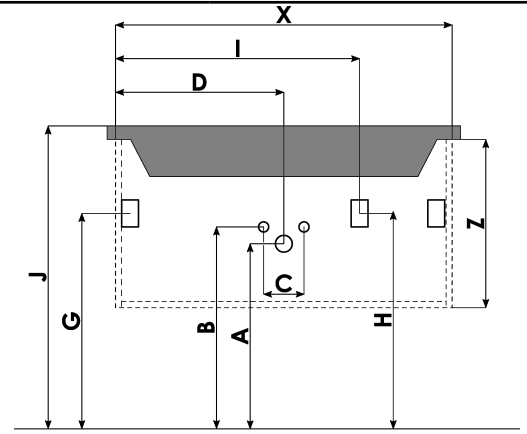
Z 318 mm



A

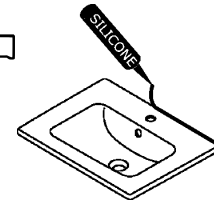
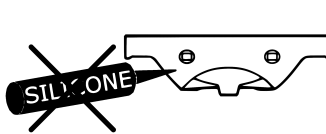
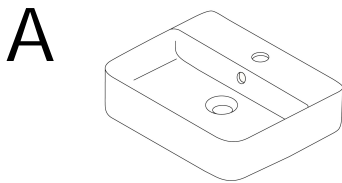
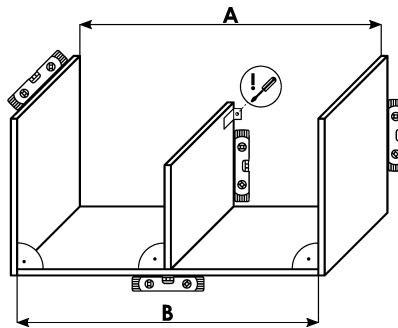


- A 560 mm
- B 600 mm
- C 80-120 mm
- D 350 mm
- E 700 mm
- F 700 mm
- G 656 mm
- H 656 mm
- I 740 mm
- J 860 mm
- M mm
- N mm



!

A=B



B

