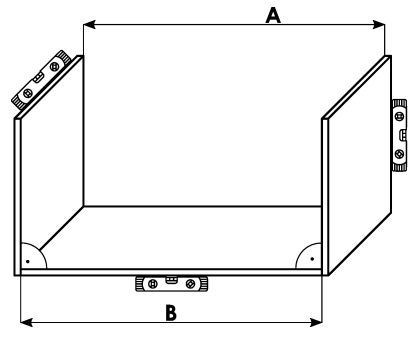
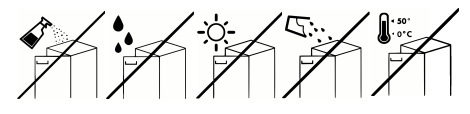
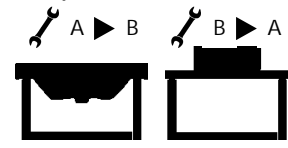
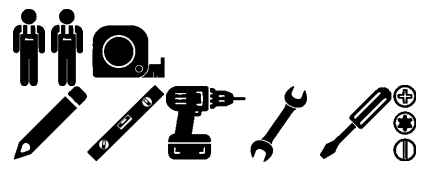
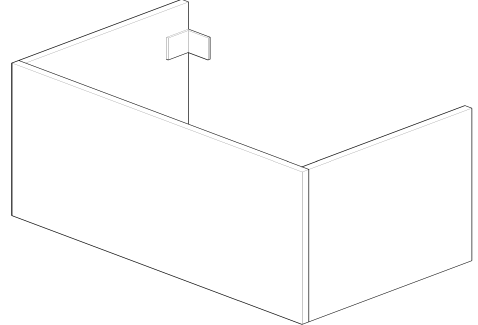
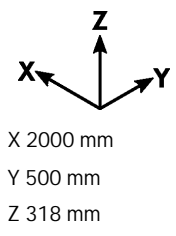
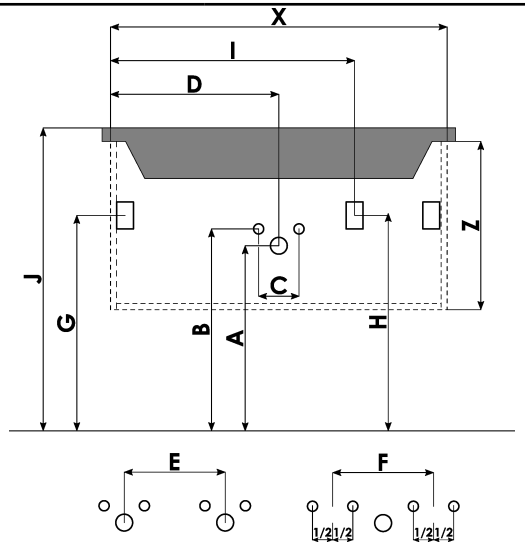
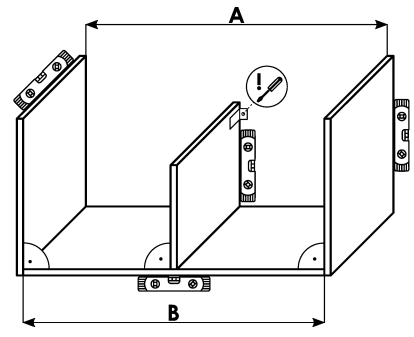


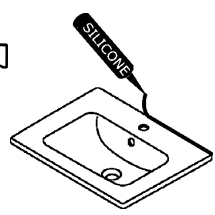
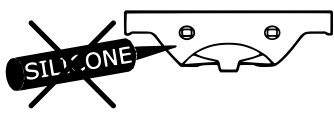
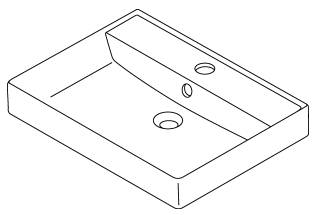
- A 560 mm
- B 600 mm
- C 80-100 mm
- D 501 mm
- E 998 mm
- F 998 mm
- G 691 mm
- H 691 mm
- I 951/1048/1949 mm
- J 860 mm
- M mm
- N mm



! A=B



A



B

