

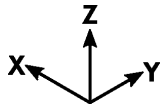
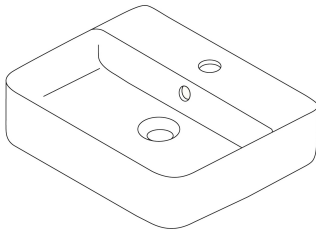


U103

X: 460mm

Y: 390mm

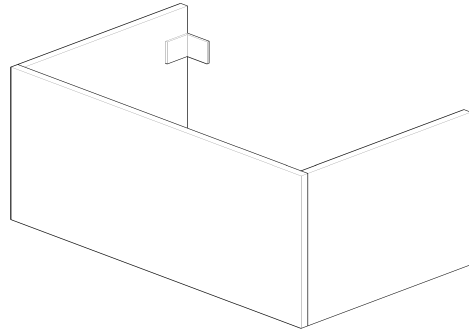
Z: 125mm



X: 2400 mm

Y: 500 mm

Z: 318 mm



A



A 560 mm
B 600 mm
C 80-120 mm

D 601 mm

E 1198 mm

F ... mm

G 656 mm

H 656 mm

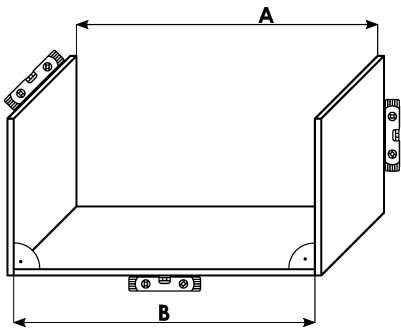
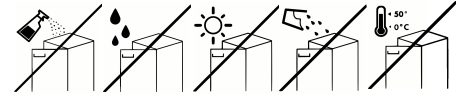
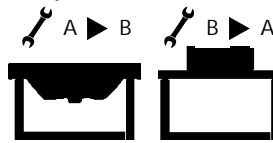
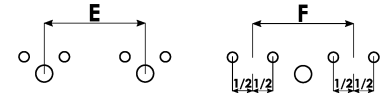
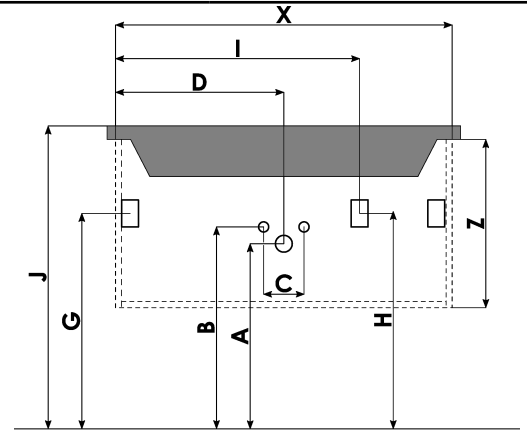
I 1152/1249/235

0 mm

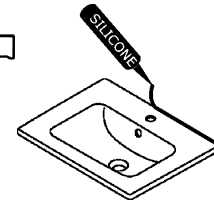
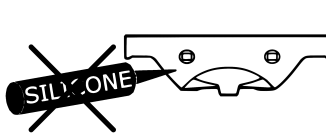
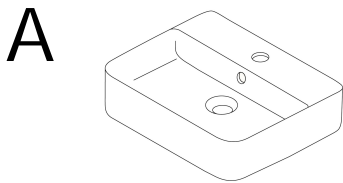
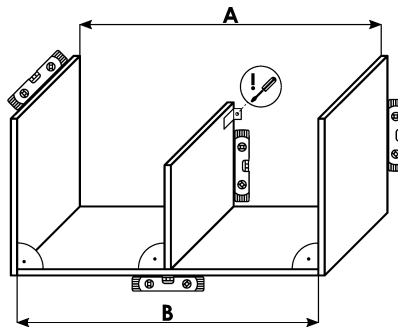
J 860 mm

M mm

N mm



! A=B



B

