

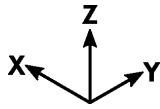
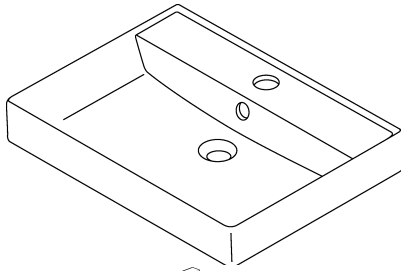


U117

X: 850mm

Y: 455mm

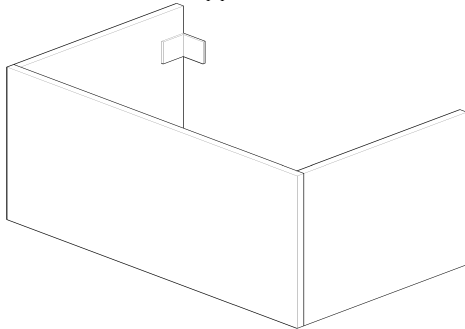
Z: 100mm



X: 2400 mm

Y: 500 mm

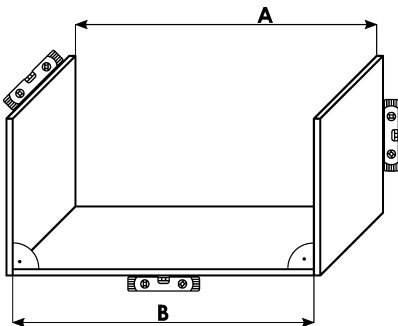
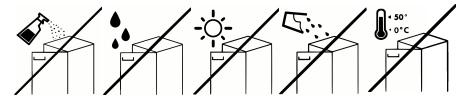
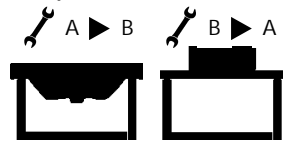
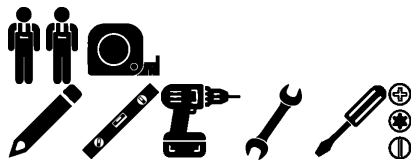
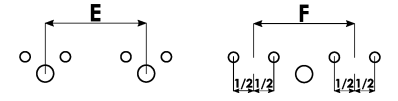
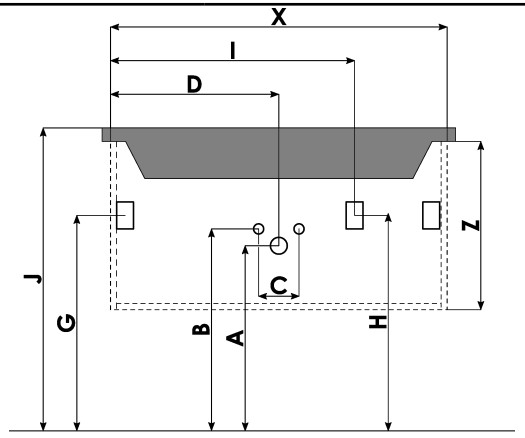
Z: 318 mm



A 560 mm  
B 600 mm  
C 80-120 mm



D 601 mm  
E 1198 mm  
F ... mm  
G 691 mm  
H 691 mm  
I 1152/1249/2350 mm  
J 860 mm  
M mm  
N mm



! A=B

