

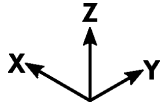
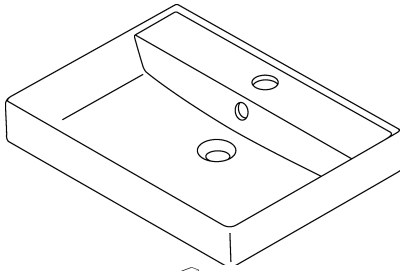


U117

X: 850mm

Y: 455mm

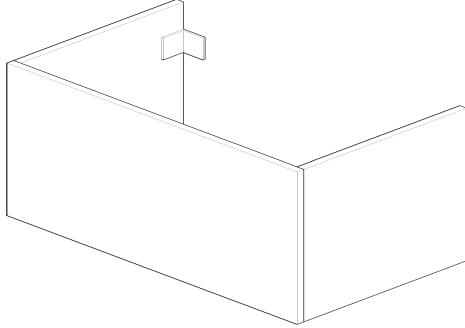
Z: 100mm



X: 1200 mm

Y: 500 mm

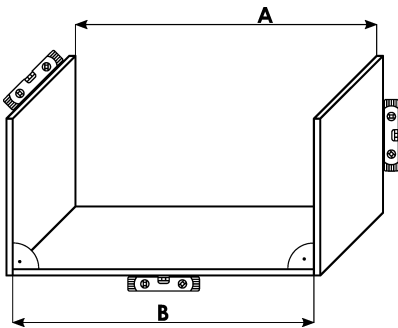
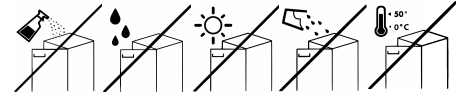
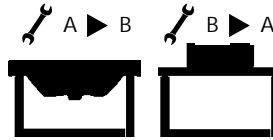
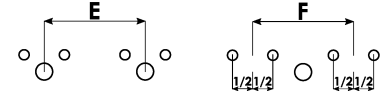
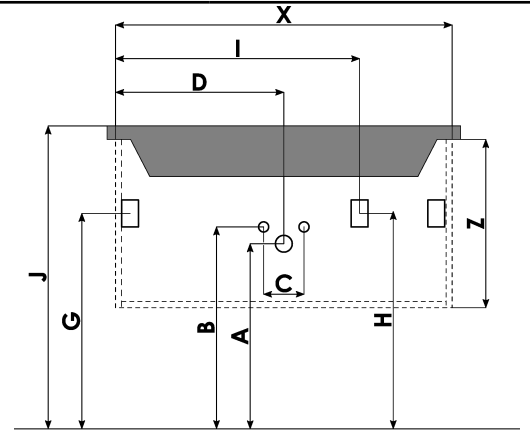
Z: 418 mm



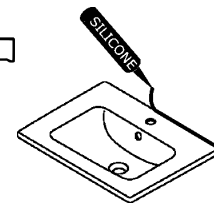
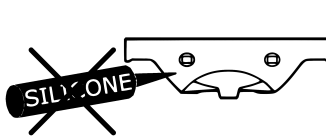
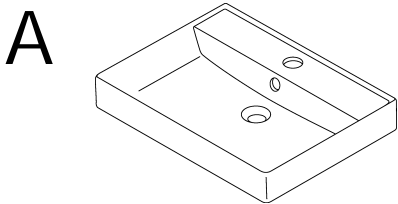
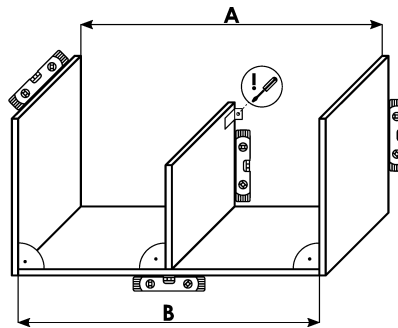
A



- A 560 mm
- B 600 mm
- C 80-100 mm
- D 600 mm
- E ... mm
- F ... mm
- G 691 mm
- H 658 mm
- I 478/720 mm
- J 860 mm
- M mm
- N mm



! A=B



B

