

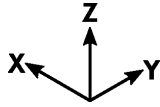
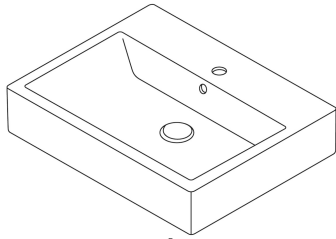


U023

X: 600mm

Y: 470mm

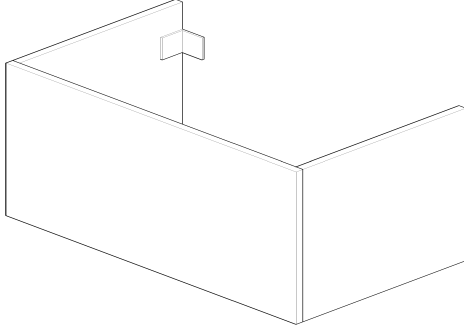
Z: 130mm



X: 2000 mm

Y: 500 mm

Z: 418 mm



A

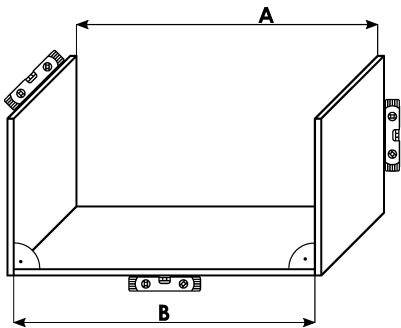
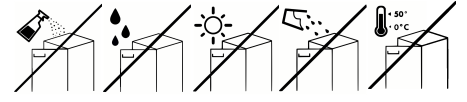
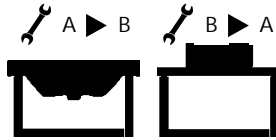
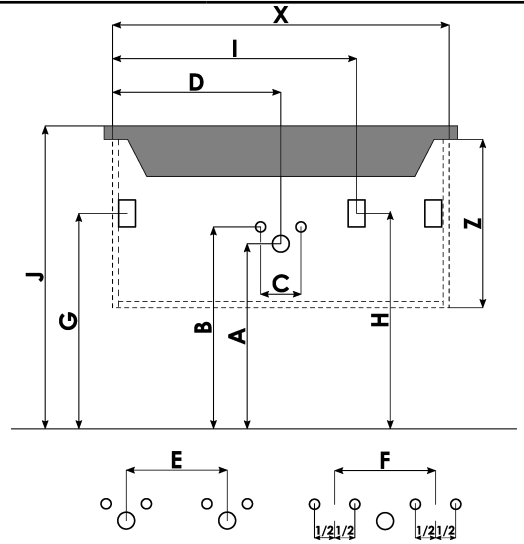


A 560 mm  
B 600 mm  
C 80-120 mm

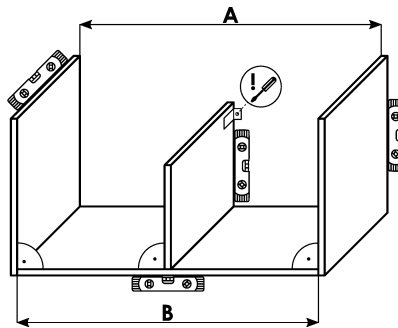
B



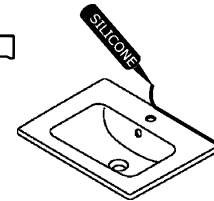
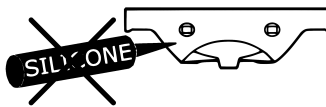
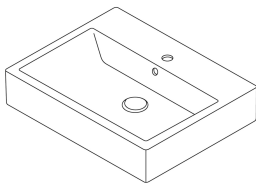
D 501 mm  
E 998 mm  
F ... mm  
G 656 mm  
H 656 mm  
I 951/1048/1949 mm  
J 860 mm  
M mm  
N mm



! A=B



A



B

