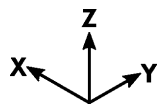


MODULE SZZ4 200 U116

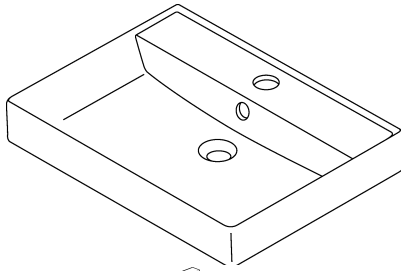


U116

X₁ 700mm

Y₁ 455mm

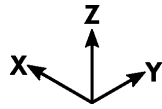
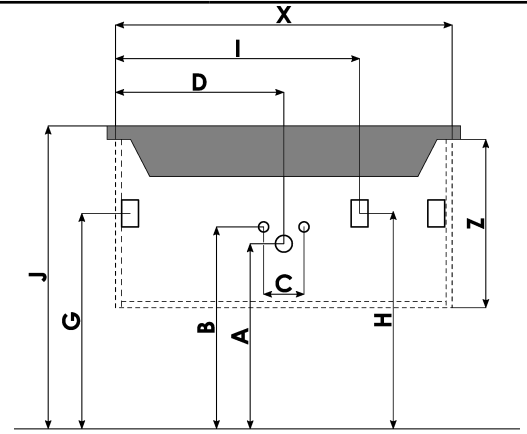
Z₁ 100mm



A



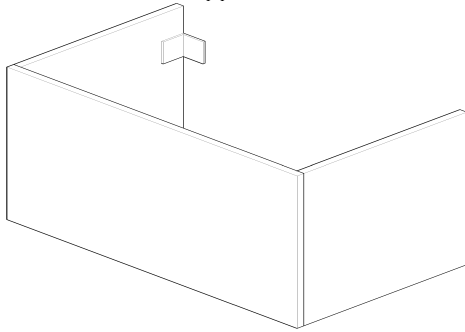
- A 560 mm
- B 600 mm
- C 80-120 mm
- D 501 mm
- E 998 mm
- F ... mm
- G 691 mm
- H 691 mm
- I 951/1048/1949 mm
- J 860 mm
- M mm
- N mm



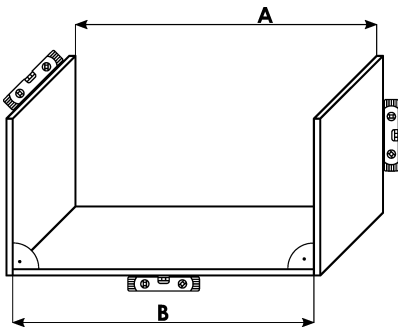
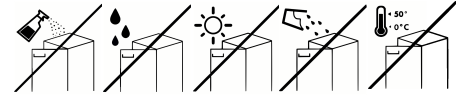
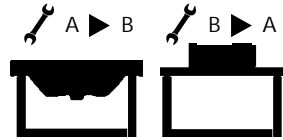
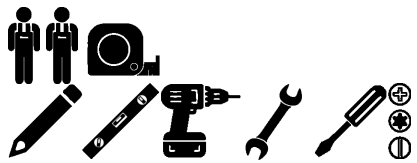
X 2000 mm

Y 500 mm

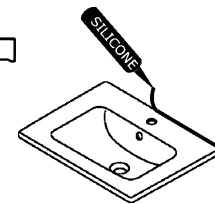
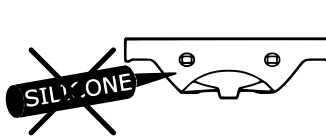
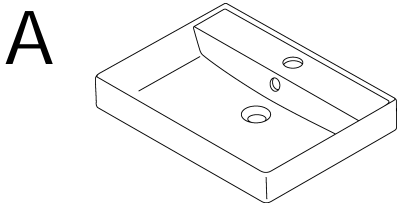
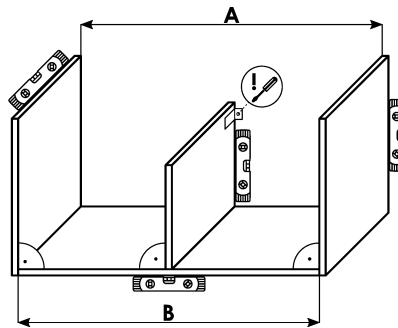
Z 418 mm



B



! A=B



B

