

# MODULE SZZ6 240 U023



U023

X: 600mm

Y: 470mm

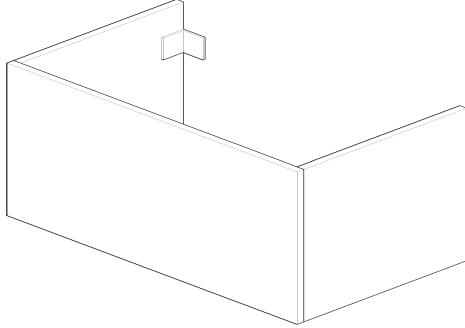
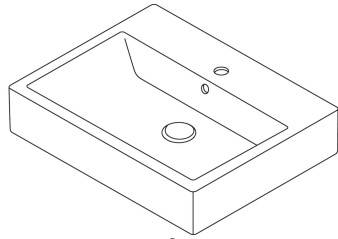
Z: 130mm



X: 2400 mm

Y: 500 mm

Z: 418 mm



A



A 560 mm  
B 600 mm  
C 80-100 mm

D 402 mm  
E 1200 mm

F ... mm  
G 656 mm

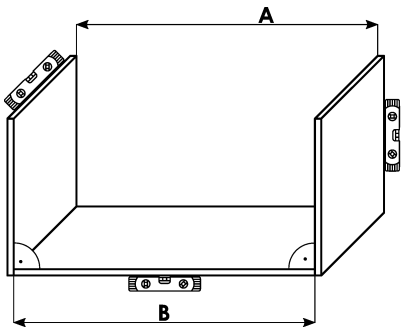
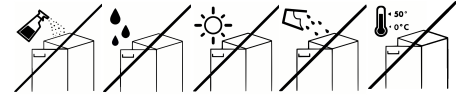
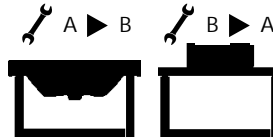
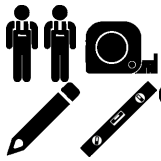
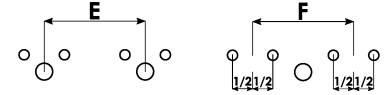
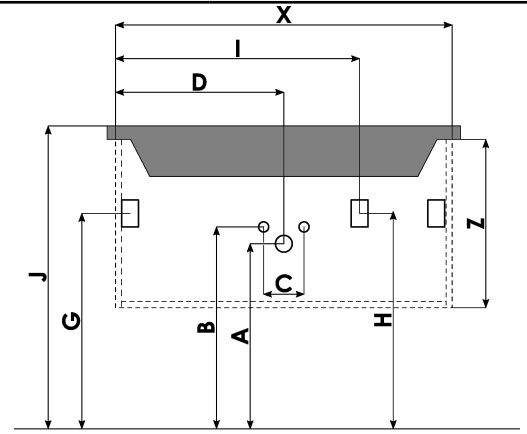
H 656 mm  
I

752/849/1550/  
1647/2348 mm

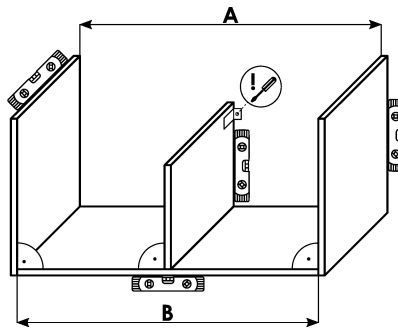
J 860 mm

M mm

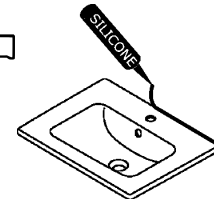
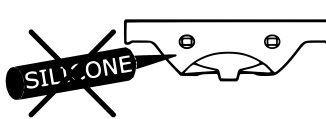
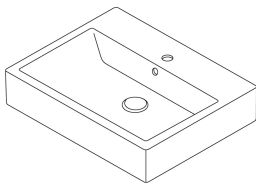
N mm



! A=B



A



B

