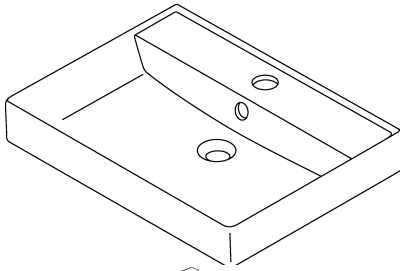


U115

X: 600mm

Y: 455mm

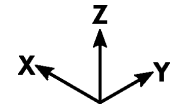
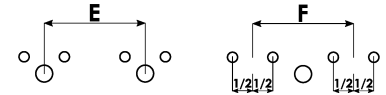
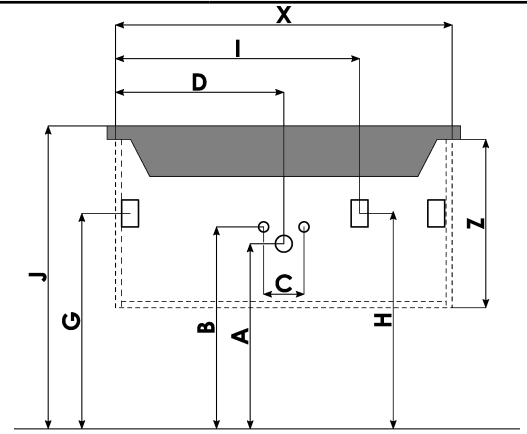
Z: 100mm



A



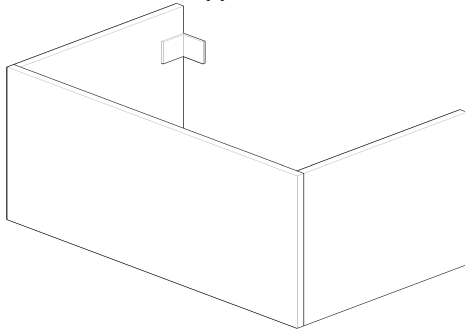
- A 560 mm
- B 600 mm
- C 80-100 mm
- D 1200 mm
- E 798 mm
- F ... mm
- G 691 mm
- H 691 mm
- I 752/849/1550/1647/2348 mm
- J 860 mm
- M mm
- N mm



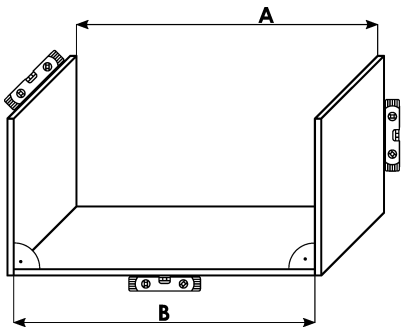
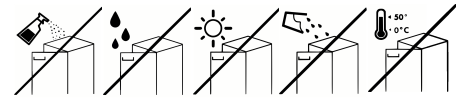
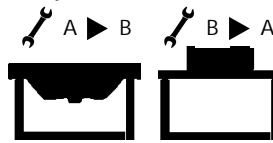
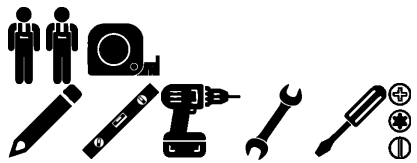
X 2400 mm

Y 500 mm

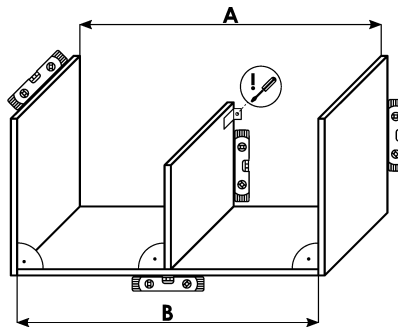
Z 418 mm



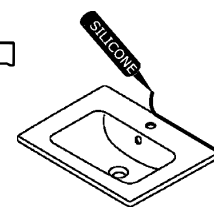
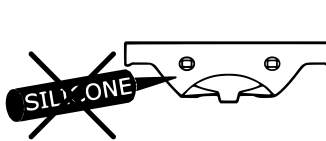
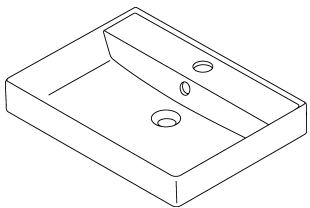
B



! A=B



A



B

