

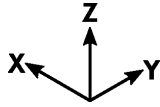
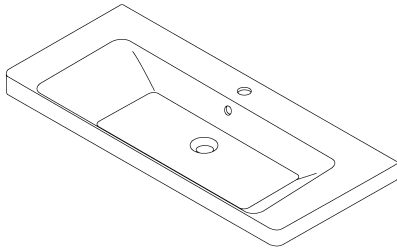


U113

X₁ 1050mm

Y₁ 460mm

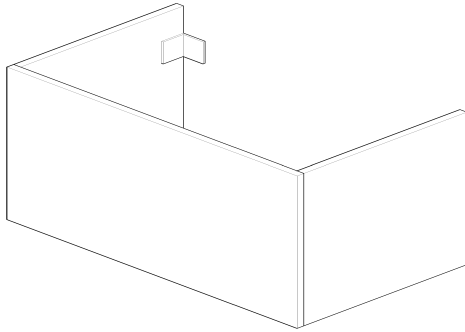
Z₁ 60mm



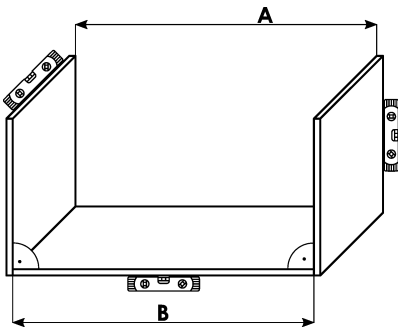
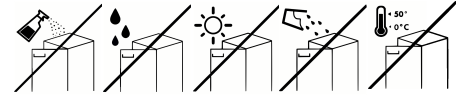
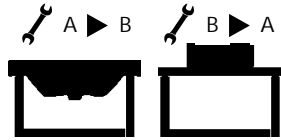
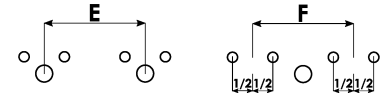
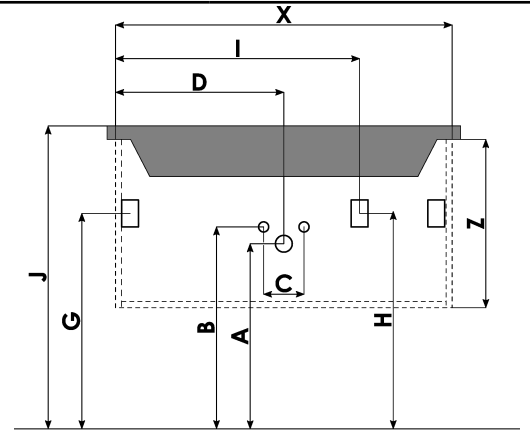
X 1010 mm

Y 438 mm

Z 560 mm



- A 550 mm
- B 580 mm
- C 80-120 mm
- D 505 mm
- E --- mm
- F --- mm
- G 662 mm
- H --- mm
- I --- mm
- J 860 mm
- M mm
- N mm



! A=B

