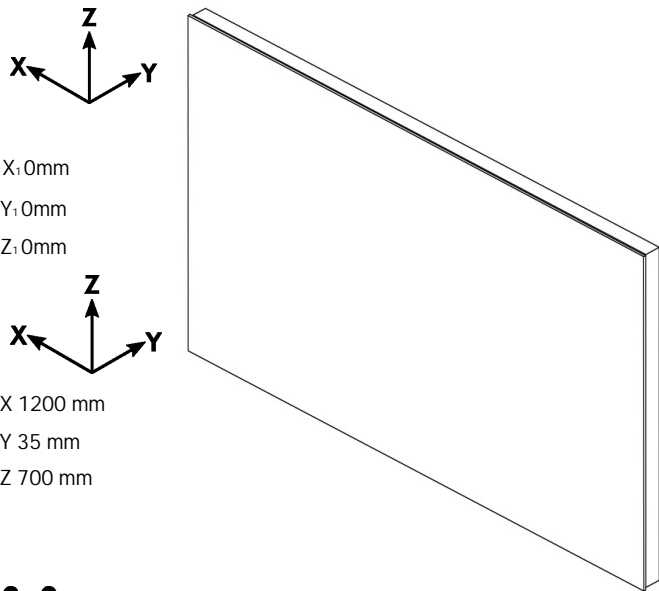
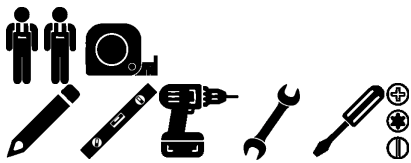


# STRIPE ZCO 120

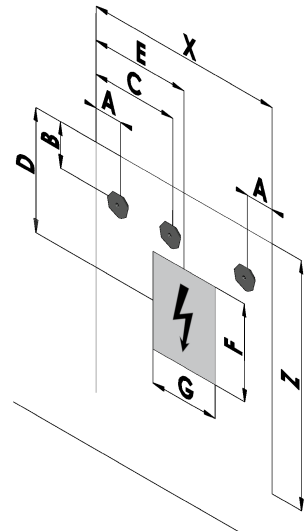



X: 0 mm  
Y: 0 mm  
Z: 0 mm

X: 1200 mm  
Y: 35 mm  
Z: 700 mm



X 1200 mm  
Z 700 mm  
A 190 mm  
B 177 mm  
C mm  
D 1/2 Z  
E 1/2 X  
F mm  
G mm  
H mm  
I mm  
J mm



220V-240V~ ; 50Hz-60Hz ; max. 24W ; IP67 ; 4000K 

**max. Kg** Max. 5 Kg

